



## RHD-SP22/RHD-SB221

專業負離子風筒 Professional Ionic Hair Dryer



僅供家庭使用  
For household use only

## 使用說明書 OPERATION MANUAL

- 在使用本產品前，請仔細閱讀本說明書，閱讀後小心收藏，以備日後查閱。
- Please read the operation manual carefully before using. Keep it in a safe place for future reference.
- 本說明書中的圖示可能與實物有不同的地方，僅供參考。
- The images in the operation manual may not match with the real object and are for reference only.



非常感謝您選購樂信牌風筒，為了使我們的產品能全心全意的為您服務，在使用前請先詳細閱讀本說明書，並保存以備日後參考。

## 目錄

1. 安全注意事項
2. 產品規格
3. 產品說明
4. 使用方法
5. 清潔及保養
6. 儲存
7. 故障排除
8. 特別聲明
9. 售後服務

# Rasonic

## 樂信牌

### 1. 安全注意事項

使用本產品時，必須遵守下列安全預防措施：

1. 使用產品前，請仔細閱讀相關的說明。
2. 警告：風筒上此符號(右圖)表示“切勿在近水處、靠近浴缸、淋浴器、洗面盆或其他裝水的容器旁使用風筒。”
3. 切勿使機身、電源線或插頭接觸到水，以免影響電器的防漏電性能及防止造成觸電的危險。
4. 在使用時和剛使用後，機身、風嘴及附件會處於高溫狀態，切勿觸摸變熱部份，以免造成燙傷。
5. 為確保安全，使用後請務必關閉風筒(設定風速鍵為“0”)，並將插頭從電源插座拔出。切勿在連接電源時擱置本產品，避免造成觸電。
6. 切勿在易燃物品附近或潮濕的環境中使用。切勿手濕時使用風筒、插入或拔下電源插頭，避免造成觸電。
7. 為了加強安全，建議您在浴室的供電電路中安裝一個額定啟動電流不超過30毫安的漏電斷路裝置(RCD)。請向合資格的技術員諮詢。
8. 在浴室使用後，請拔出電源插頭，因為即使風筒電源關閉，風筒接近水時仍然存在危險。
9. 切勿用任何物件(如髮夾)堵塞吸風口或吹風口，避免造成危險及對產品造成損害。
10. 此風筒設有過熱保護裝置。如風筒過熱或吸風口或吹風口被堵塞時，風筒會自動停止操作。請關掉風筒(設定風速鍵為“0”)，把電源插頭從插座拔出。待風筒冷卻數分鐘後，檢查及確保吸風口或吹風口沒有堵塞物如頭髮、衣服毛線、灰塵等。如有堵塞物，請按說明書的清潔步驟清理後才可重新使用。
11. 使用時，請注意手持風筒的方向，並確保頭髮與入風口保持最少10厘米的距離，避免風筒吸入或纏繞您的頭髮。請保持你的頭髮與出風口有最少3厘米的距離，避免你的頭髮或頭皮過熱。
12. 使用時，可能會聞到一種特殊氣味，該氣味是負離子所造成的，對人體無害。
13. 請小心使用電源線，不可在電源線上放重物或夾電源線；不可改裝電源線；切勿用力拉扯或扭曲電線；在拔出或插入插頭時，要用手握穩插頭本身。
14. 切勿將電源線懸掛在桌子、櫥櫃的邊緣或令其接觸發熱的表面，避免造成電源線損壞。
15. 切勿將電源線纏繞在風筒上，避免造成因電源線磨損和破裂導致短路或觸電的危險。

16. 若有孩童在旁，須加倍小心使用產品及將其放於小孩不能觸及的地方。
17. 如8歲或以上的兒童及體質、感覺或智力有障礙人士或缺乏經驗或相關知識的人士需要使用此風筒，需要接受監護或指示如何安全地使用風筒和了解使用風筒之危險性。請小心看管小孩，以確保他們不會把此產品當作玩具。在無人監護的情況，切勿讓孩童清潔及修理風筒。
18. 本產品只可作家庭室內用途，用於吹乾或整理頭髮，並不適用於嬰兒、幼兒及寵物，以免造成燙傷或機件故障。如不當使用此風筒，或作為(半)商業用途，或不依照說明書操作，保修服務將無效，本公司將不會承擔任何損壞的維修責任及賠償。
19. 為避免危險，如發現風筒或零件如電源線、風嘴或專業造型器有任何損壞，應立刻停止使用，並聯絡信興電器服務中心有限公司進行檢查或維修。切勿使用或更換非生產商授權的零件，否則保修服務將無效。
20. 如需維修，請攜同產品、保修證及收據到信興電器服務中心有限公司，地址印於本使用說明書的背頁或致電2406 5666查詢。

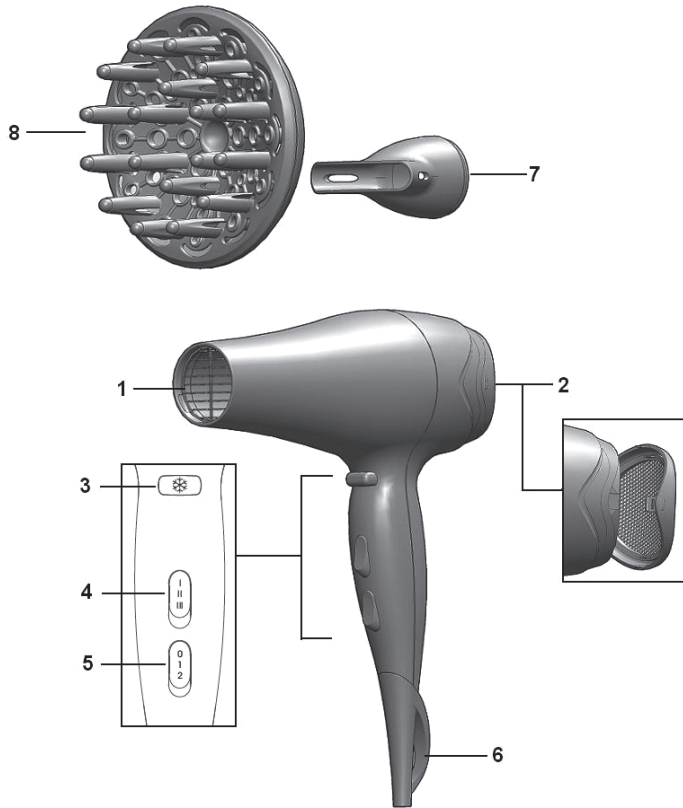
## 2. 產品規格

型號	RHD-SP22	RHD-SB221
額定電壓	230 - 240伏特~50赫茲	
額定功率	2000 – 2200瓦	
淨重	0.75公斤	0.7公斤
產品尺寸(闊 x 深 x 高)	221 x 86 x 285毫米	216 x 84 x 280毫米

# Rasonic

## 樂信牌

### 3. 產品說明



(以上是RHD-SP22產品圖，結構與RHD-SB221大致相同。圖片僅供參考，請以實物為準。)

- |                       |                      |
|-----------------------|----------------------|
| 1. 吹風口                | 5. 風速鍵 – 電源開關及2段風速選擇 |
| 2. 吸風口 – 可拆式吸風口蓋，方便清潔 | 6. 掛環                |
| 3. 冷風掣                | 7. 速乾風咀              |
| 4. 溫度鍵 – 3段熱力選擇       | 8. 專業造型器             |

## 4. 使用方法

1. 使用前，請確定風速鍵設於“0”的位置上，才可將電源插頭插入電源插座。
2. 設定風速及溫度。
  - 2.1 按風速鍵調節風速並啟動風筒。
    - “0”- 關掉電源
    - “1”- 低速風，可塑造髮型
    - “2”- 高速風，可迅速吹乾頭髮
  - 2.2 按溫度鍵調節溫度。
    - “I”- 低溫
    - “II”- 中溫
    - “III”- 高溫
3. 附加功能
  - 3.1 冷風功能  
按下冷風鍵時，風筒可吹出冷風，方便塑造理想髮型。
  - 3.2 負離子護髮功能  
吹髮時，風筒會釋出負離子，能有效減少毛燥及靜電，使頭髮柔順閃亮，貼服易梳。
4. 吹髮小提示
  - 4.1 若洗髮後使用，用乾毛巾輕輕地將頭髮上的水份吸乾至不再滴水程度，才使用風筒吹乾頭髮。
  - 4.2 將速乾風咀安裝於風筒上，可集中出風，有助迅速吹乾頭髮。
  - 4.3 將專業造型器安裝於風筒上，可均勻地吹出散風，可造出豐盈自然的曲髮。



## 5. 清潔及保養

1. 在清潔前，應先拔掉電源插頭並待風筒冷卻。
2. 可用乾軟棉布擦拭產品表面。切勿用水沖洗風筒。
3. 請用軟毛牙刷或軟毛刷清除附在吹風口或吸風口的灰塵及頭髮。另外，可拆除風筒尾部的吸風口蓋，然後作更深入的清理。清潔後，必須將吸風口蓋裝回原處。建議每月須清理一次或以上。
4. 切勿使用有毒或腐蝕性清潔劑進行清潔。
5. 請常清潔吸風口及吹風口，以維持產品的效能。若風筒在沒有堵塞物的情況下不能運作，則可能是產品故障，請聯絡信興電器服務中心有限公司作檢查及維修。

# Rasonic

## 樂信牌

### 6. 儲存

1. 必須待風筒完全冷卻後才能儲存。儲存時，請放入紙箱，然後放置在乾燥的環境中。
2. 儲存時，切勿將電源線纏繞在產品上或夾住電源線，避免造成電源線磨損和破裂。

### 7. 故障排除

問題	原因	處理方法
中溫或高溫設定下，出風經常變冷。 機身和暖風異常高溫。 出風不順或不出風。	吸風口或吹風口被物件堵塞， 例如：毛髮、灰塵或手等。	<ul style="list-style-type: none"> <li>• 請關掉電源，拔下電源插頭後，然後清除吸風口或吹風口的堵塞物。</li> <li>• 使用時，請避免遮蓋吸風口或吹風口。</li> </ul>
使用時，有異聲及機內通紅。 有焦味。	零件可能發生故障。	請立即停止使用，並聯絡信興電器服務中心有限公司檢查及維修。

### 8. 特別聲明

1. 本資料上所有內容經過核對，如有任何印刷及內容上的誤解，本公司將保留解釋權。
2. 本產品若有技術改進，會編進新版說明書中，恕不另行通知；產品外觀、顏色如有改動，則以製造商資料為準。
3. 如本資料之中英文版本有差異時，應以中文版為準。
4. 使用說明書的電子副本可以通過電子郵件發送致客戶，如有需要，可致電信興電工工程有限公司：28612767。

### 9. 售後服務

1. 由購買收據日期起之一年保修期內，經信興電器服務中心有限公司之服務人員證實產品故障屬於正常使用之情況下發生者，本公司將提供免費維修或更換零件服務。經更換之任何損壞零件，將歸屬本公司所有。保修範圍不包括修理或更換產品之損耗性零件等。
2. 用戶必須於維修時出示購買收據/換購收據及蓋有銷售點/換購中心印章的產品保修記錄卡。如有任何疑問，請致電信興電器服務中心有限公司熱線：24065666 查詢。

---

Thank you for choosing Rasonic Hair Dryer. Please read the operation manual carefully before using and keep this operation manual for your future reference.

## Table of Contents

1. Important Safeguards
2. Product Specifications
3. Product Descriptions
4. Operation Instructions
5. Cleaning and Maintenance
6. Storage
7. Troubleshooting
8. Special Avowal
9. After Sales Service

# Rasonic

## 樂信牌

### 1. Important Safeguards

When using the hair dryer, please follow the basic safety precautions as below:

1. Read all instructions carefully before using.
2. Warning: This label (shown in the right) on the hair dryer means "Do not use this hair dryer near water, bathtubs, shower, basins or other vessels containing water".
3. Do not let the hair dryer, power cord or plug contact with water to prevent any damage on the insulated part or getting electric shock.
4. The hair dryer, nozzle and accessory become hot during operation or after used. Do not touch hot parts to avoid burns.
5. For your safety, please always switch off (set the speed switch at "0" position) and unplug the hair dryer from the power socket after use. Do not idle the hair dryer when it is connected to the power source to prevent electric shock.
6. Do not use hair dryer near inflammable materials or in humid environment. Do not use, plug or unplug the hair dryer by wet hand, otherwise it may cause electric shock.
7. For additional protection, the installation of a residual current device (RCD) with a rated residual operating current not exceeding 30mA is advisable in the electrical circuit supplying the bathroom. Ask a qualified installer for advice.
8. When the hair dryer is used in bathroom, unplug it after use since the proximity of water presents a hazard even when the hair dryer is switched off.
9. Never block the air inlet or outlet by any foreign objects (e.g. barrette), it can cause danger and damage to the hair dryer.
10. The hair dryer is equipped with an overheat protection device that will switch off the unit automatically when it is overheated, or the air inlet or outlet is blocked. Please switch off the hair dryer (set the speed switch at "0" position) and unplug it from the power socket. After cool down a few minutes, please check and make sure the air inlet or outlet is not blocked by hair, fluff, dust, etc. If so, please clean them according to the instructions in this operation manual before switch on the hair dryer again.
11. When in use, please mind the holding direction of the hair dryer and keep at least 10cm distance between your hair and the air inlet, it prevents your hair from sucking in or trapping in the hair dryer. Keep at least 3cm distance between your hair and the air outlet to avoid hair or scalp overheated.
12. Some specific odour may come from the hair dryer when use, this is generated by the negative ions which cause no harm to the body.
13. Great care is necessary when using the power cord. Do not place heavy objects on the power cord or clip the power cord. Any modification of the power cord is prohibited. Do not stretch or twist the power cord. Always grasp the plug tightly with hands when unplugging or plugging in the socket.
14. Do not let the power cord hang over the edge of table or countertop, or touch any hot surface as it could cause damage and deterioration to the power cord.
15. Do not wrap the power cord round the hair dryer to avoid short circuit and electric shock due to power cord damage and fray.



16. Great care is necessary when using the hair dryer near children. Keep children away.
17. This appliance can be used by children aged from 8 years and above and persons with reduced physical, sensory or mental capabilities or lack of experience and knowledge if they have been given supervision or instruction concerning use of the appliance in a safe way and understand the hazards involved. Children shall not play with the appliance. Cleaning and user maintenance shall not be made by children without supervision.
18. The hair dryer is for household and indoor use only, specifically for hair drying and styling. It is not recommended for baby, infant and pet to avoid getting burns or unit breakdown. If the hair dryer is used improperly, for commercial use or semi-commercial use, or not follow the instructions in the operation manual, your warranty becomes invalid and our company will refuse any liability and repairing cost for the damage caused.
19. If there is damage on hair dryer or any parts such as power cord, nozzle or professional hair style diffuser, in order to avoid hazards, stop operating the hair dryer immediately and contact Shun Hing Electric Service Centre Limited for checking and repairing. Do not use or replace with any parts produced without authorities, otherwise the warranty becomes invalid.
20. If the hair dryer needs to be repaired, please present the official invoice, guarantee certificate with the hair dryer for repair service and contact Shun Hing Electric Service Centre Limited, by hotline 2406 5666. The address can be found on the back page of the operation manual.

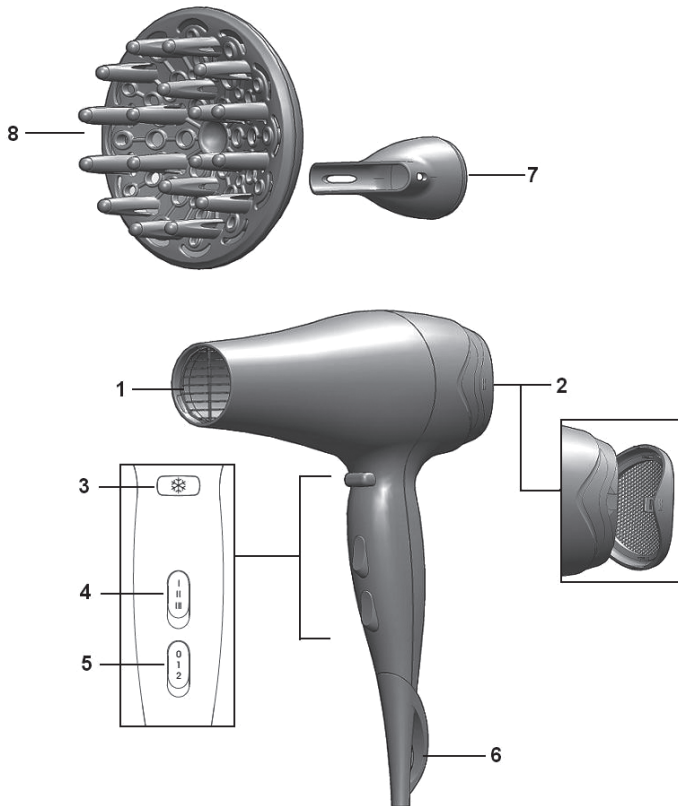
## 2. Product Specifications

Model	RHD-SP22	RHD-SB221
Rated Voltage	230-240V~50Hz	
Rated Power	2000-2200W	
Net Weight	0.75 kg	0.7 kg
Product Dimension (W x D x H)	221 x 86 x 285mm	216 x 84 x 280mm

# Rasonic

## 樂信牌

### 3. Product Descriptions



(Above is RHD-SP22 product drawing, RHD-SB221 has similar structure except appearance. Drawing is for reference only, appearance please refer to actual product.)

- |  |   |
|--|---|
| 1. Air Outlet                                      | 5. Speed Switch – power switch and 2 levels speed selection |
| 2. Air Inlet – removable end cap for deep cleaning | 6. Hanging Loop   |
| 3. Cold Wind Switch                                | 7. Quick Dry Nozzle   |
| 4. Temperature Switch – 3 levels heat selection    | 8. Professional Hair Style Diffuser                         |

## 4. Operation Instructions

1. Before using, make sure the speed switch is at "0" position, then plug in the power plug to the power socket.
2. Setting speed and temperature.
  - 2.1 Press speed switch to switch on the hair dryer
    - "0"- switch off the hair dryer
    - "1"- gentle airflow to set the hair style
    - "2"- strong airflow to quick dry the hair
  - 2.2 Press temperature switch to select heat levels
    - "I"- cool setting
    - "II"- warm setting
    - "III"- hot setting
3. Extra Function
  - 3.1 Cold Wind Function  
Press the cold wind switch to generate cold airflow for creating your ideal hair style.
  - 3.2. Negative Ionic Care Function  
The hair dryer generates negative ions which reduce the frizz and static electricity. It can also smooth and add shine to your hair.
4. Drying Tips
  - 4.1 After shampoo, rub your hair gently with a dry towel until no dripping water and then use the hair dryer to dry your hair.
  - 4.2 Attach quick dry nozzle onto the hair dryer to concentrate airflow which dry your hair quickly.
  - 4.3 Attach the professional hair style diffuser onto the hair dryer to spread the airflow evenly, it can add volume and create natural curve for your hair style.



## 5. Cleaning and Maintenance

1. Always unplug the hair dryer and let it cool down before cleaning.
2. Clean the hair dryer surface with soft cotton cloth. Do not rinse it with water.
3. Use soft toothbrush or soft brush to remove the dust and hair attached on the air inlet or outlet. Besides, you can remove the end cap for deep cleaning and put it back after cleaned. It is recommended to clean the hair dryer at least once a month.
4. Never use poisonous or erosive detergent for cleaning.
5. Clean the air inlet and outlet often to keep the hair dryer function properly. If it cannot be operated when there is no blockage at the air inlet and outlet, it may have defects, please contact Shun Hing Electric Service Centre Limited for checking and repairing.

# Rasonic 樂信牌

## 6. Storage

1. Make sure the hair dryer cools down completely before storage. Please put it into the box and store in a dry place.
2. When store the hair dryer, never wrap the power cord round the hair dryer or clip the power cord, it prevents power cord from deterioration and damage.

## 7. Troubleshooting

Problem	Reason	Solution
Airflow becomes cold even under warm or hot setting.	The air inlet or outlet is blocked by obstacles, such as hair, dust, hand, etc.	<ul style="list-style-type: none"> <li>• Switch off the hair dryer and unplug from the socket, then remove the obstacles on the air inlet or outlet.</li> <li>• Do not block the air inlet or outlet during use.</li> </ul>
The housing and the airflow are abnormally hot.		
Abnormal or no airflow.		
When use, there is some noise and the majority of internal parts turn red.	Parts may have defects.	Stop using immediately and contact Shun Hing Electric Service Centre Ltd. for checking and repairing.
Burn smell.		

## 8. Special Avowal

1. The content in the operation manual has been checked. Our company reserves the hermeneutic power to any printing errors or misunderstanding on the content.
2. If there are technical improvements on the appliance, the operation manual will be updated in new version without prior notice. The product appearance and specification are subject to the manufacturer information.
3. In case there is any inconsistency or conflict between the English versions and Chinese versions of the terms, the Chinese versions shall prevail.
4. The e-copy of user manual can be sent by email on requested. For enquiries, please call Shun Hing Electric Works & Engineering Co., Ltd. hotline at 2861 2767.

## 9. After Sales Service

1. For any defect, in the judgement of technician from Shun Hing Electric Service Center Limited, caused under normal use, our company is responsible for repairing or replacing parts of the said electrical appliance free of charge within one year guarantee period commencing from the date of purchase. Any defect part which has been replaced shall become our property. Guarantee service does not cover the repair or replacement of consumable parts etc.
2. User must present the official invoice/redemption voucher and the product warranty card with the chop from sales point/redemption center for maintenance. For enquiries, please call Shun Hing Electric Service Center Limited hotline at 2406 5666.





SHUN HING GROUP  
信興集團  
SINCE 1953

 **Rasonic 樂信牌**

## 信興電工工程有限公司

SHUN HING ELECTRIC WORKS AND ENGINEERING CO., LTD.

辦公室：香港九龍尖沙咀東部麼地道67號半島中心9樓

電話：2861 2767

圖文傳真：2865 6706

網址：<http://www.rasonic.com>

電郵：[shew@shunhinggroup.com](mailto:shew@shunhinggroup.com)

Office: 9/F., Peninsula Centre, 67 Mody Road, Tsimshatsui East, Kowloon, H.K.

Tel: 2861 2767

Fax: 2865 6706

Website: <http://www.rasonic.com>

E-mail: [shew@shunhinggroup.com](mailto:shew@shunhinggroup.com)

保養及維修 Maintenance and Repair Service:

## 信興電器服務中心有限公司

SHUN HING ELECTRIC SERVICE CENTRE LTD.

香港新界葵涌勝耀街2號信興中心11樓

電話：2406 5666

圖文傳真：2408 0316

網址：<http://www.shesc.com/zh>

11/F, Shun Hing Centre, 2 Shing Yiu Street, Kwai Chung, N.T., H.K.

Tel: 2406 5666

Fax: 2408 0316

Website: <http://www.shesc.com/en>

### 客戶服務中心

香港新界葵涌勝耀街2號信興中心1樓

九龍尖沙咀東部麼地道67號半島中心B座9樓

香港天后琉璃街7號柏景中心22樓

澳門慕拉士大馬路193-199號南嶺工業大廈5樓I座

### Customer Service Centre

1/F, Shun Hing Centre, 2 Shing Yiu Street, Kwai Chung, N.T.

9/F., Block B, Peninsula Centre, 67 Mody Road, Tsim Sha Tsui East, Kowloon

22/F, Parkview Centre, 7 Lau Li Street, Tin Hau, Hong Kong

Avenida de Venceslau de Morais, No. 193-199, 5 andar - I, Edf. Industrial Nam Leng, Macau

有關最新之香港及澳門客戶服務中心資料，請參閱信興服務中心網址：<http://www.shesc.com/zh>

For the latest information of Hong Kong and Macau service center, please visit <http://www.shesc.com/en>